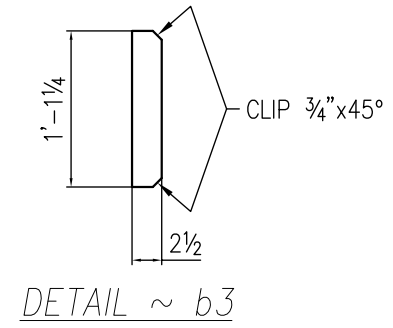
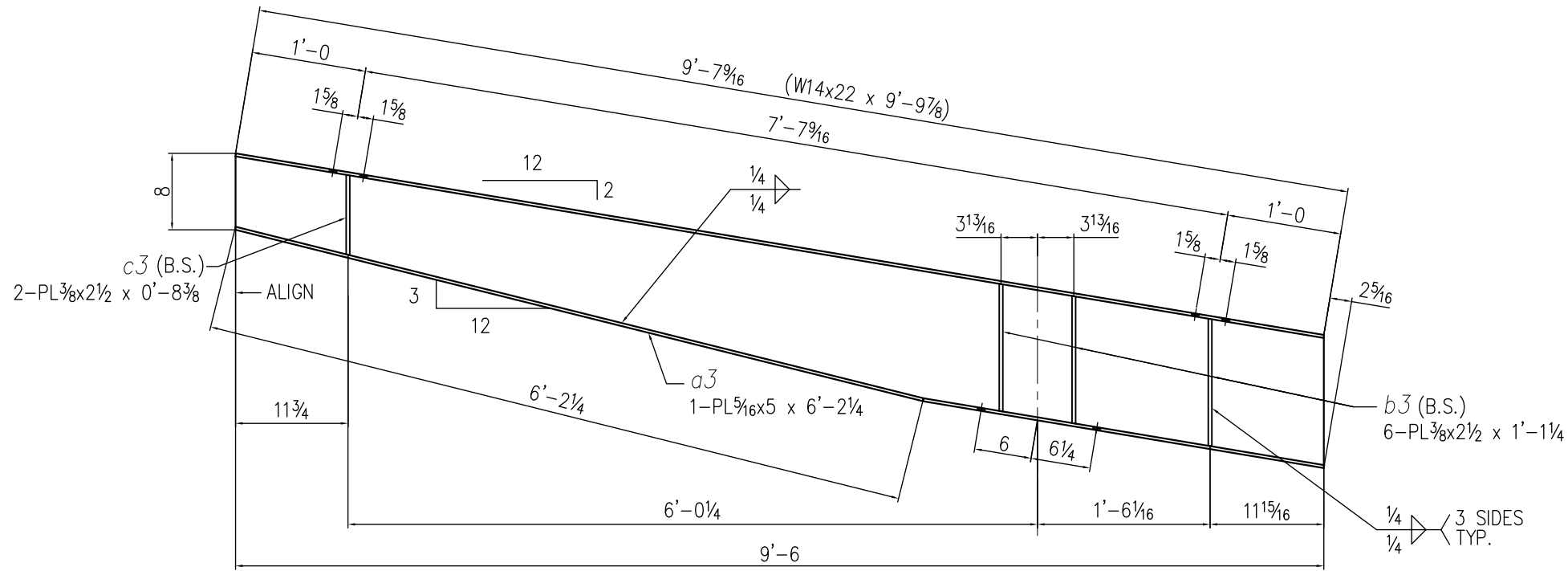
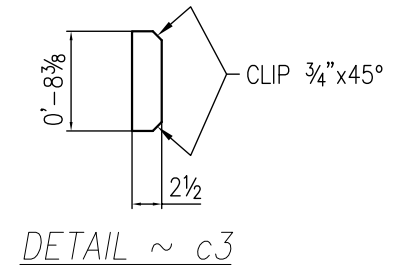
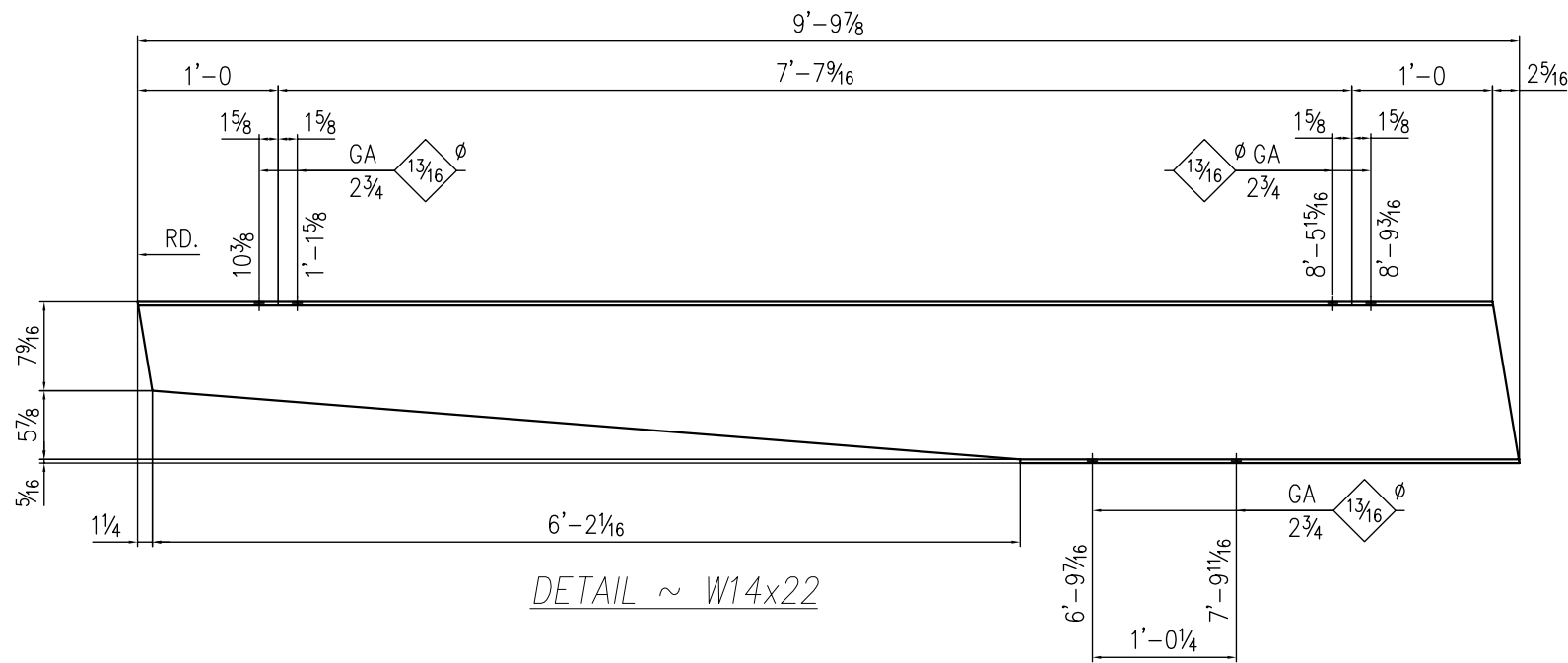


CUT	
FIT	
WLD	
PNT	
QC	



2 ~ BEAMS ~ 3B1

REF: E1



MATERIALS (ASTM)
 W-SHAPES: A992
 PLATE/BAR: A36
 ANGLES: A36
 CHANNELS: A36
 PIPE: A53, Gr. B
 HSS: A500, Gr. B
 BOLTS: A325N, UNO
 WELDING: AWS E70XX

QTY	DESCRIPTION	LENGTH		MARK	REMARKS	WEIGHT
		FT	IN			
2	BEAMS			3B1	-	
2	W14x22	9	9 7/8			432.2
2	PL 5/16x5	6	2 1/4	a3		65.8
12	PL 3/8x2 1/2	1	1 1/4	b3		42.3
4	PL 3/8x2 1/2	0	8 3/8	c3		8.9
TOTAL WEIGHT						549.20

ISSUE / REV	BY	DATE	DESCRIPTION	PAIN	STRUCTURE
		HK	5/19/21	APPROVAL	STD. GREY PRIMER
	-	-	-	MILL THCK:	LOCATION
	-	-	-	CLEAN: SP2	CUSTOMER -
	-	-	-	AESS: NO	DRAWN HK
	-	-	-	NOMMA: NA	CHECKER -
	-	-	-	OTHER:	SHOP ORDER
	-	-	-	REF:	SHEET NO. 3
	-	-	-		REV A