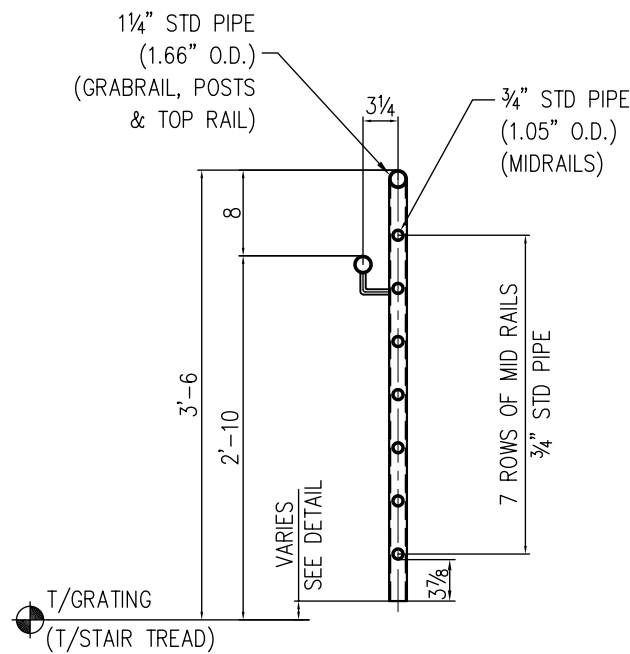
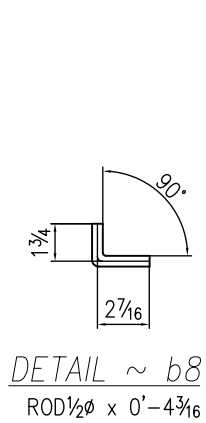


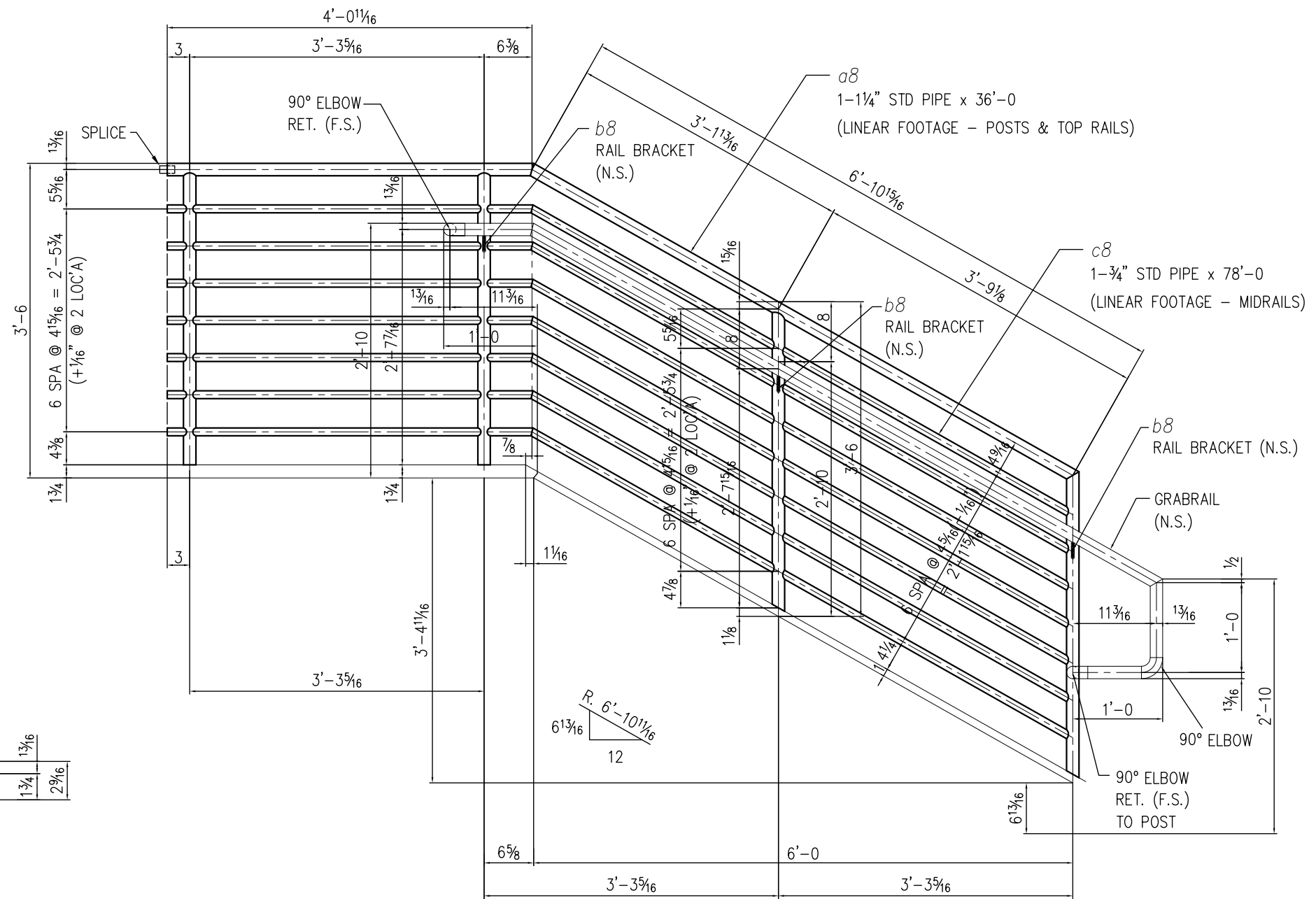
SHOP NOTE:  
PROVIDE VENT HLE FOR GALV.



TYP. GUARDRAIL SECTION



TYP. GRABRAIL BRACKET



ONE ~ GUARDRAIL ~ 8R1 (GALV)

REF: ME1

- NOTE:
1. ALL STEEL ARE GALVANIZED U.N.O.
  2. ALL WELDING TO BE 3/16" FILLET AROUND WELD U.N.O.
  3. GRABRAIL TO BE (N.S.) OF THE GUARDRAIL
  4. ALL DIMENSIONS ARE TO PIPE CENTER U.N.O.

SHOP USE ONLY

CUT

FIT

WLD

PNT

QC

MATERIALS (ASTM)  
W-SHAPES: A992  
PLATE/BAR: A36  
ANGLES: A36  
CHANNELS: A36  
PIPE: A53, Gr. B  
HSS: A500, Gr. B  
BOLTS: A325N, UNO  
WELDING: AWS E70XX

QTY	DESCRIPTION	LENGTH		MARK	REMARKS	WEIGHT
		FT	IN			
ONE	GUARDRAIL			8R1	GALV	
1	1 1/4" STD PIPE	36	0	a8	(LINEAR FOOTAGE)	81.7
3	ROD 1/2"	0	4 3/16	b8	(LINEAR FOOTAGE)	
1	3/4" STD PIPE	78	0	c8	(LINEAR FOOTAGE)	88.1
3	90° ELBOW	-	-	-		-
1	SPLICER	-	-	-		-
	TOTAL WEIGHT					169.80

ISSUE / REV	BY	DATE	DESCRIPTION	PAINT: SHOP PRIMED	STRUCTURE		
					LOCATION	CUSTOMER	
	HK	8/18/21	FOR FABRICATION	MILL THCK:			
				CLEAN: SP2			
				AESS: NO			
				NOMMA: NA	DRAWN HK	SHOP ORDER	SHEET NO.
				OTHER:			REV
				REF:	CHECKER -		8